

SALES & ENGINEERING DATA

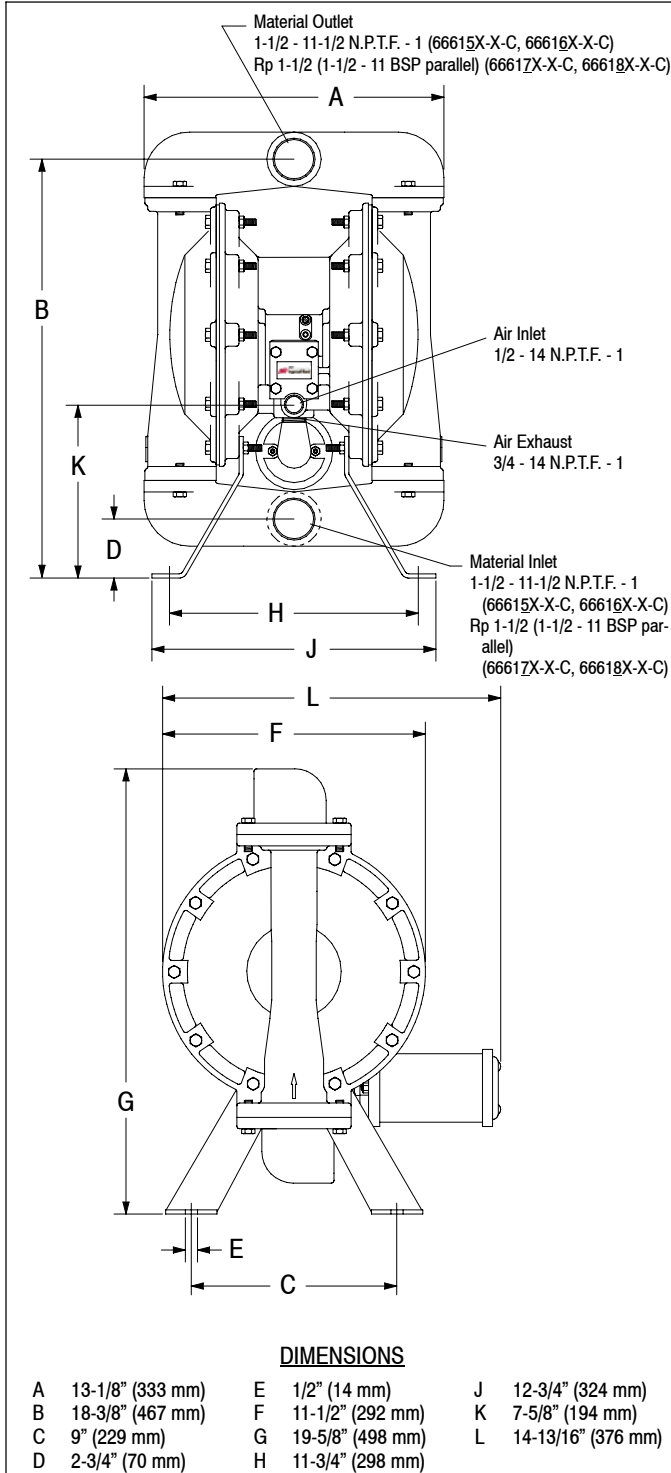
RATIO SERIES: **1:1**

FLUID P.S.I. RANGE: **20 - 120**

66615X-XXX-C THRU 66618X-XXX-C 1-1/2" METALLIC DIAPHRAGM PUMP

RELEASED: 1-10-97
REVISED: 12-12-12
(REV. F) S-879

DIMENSIONAL DATA



NOTE: Dimensions are shown in inches and (mm), supplied for reference only and are typically rounded up to the nearest 1/16 inch.

SPECIFICATIONS

CONSTRUCTION

Model Series 66615X-XXX-C thru 66618X-XXX-C
Pump Type Metallic, Air Operated, Double Diaphragm
Ratio 1:1
Material Inlet / Outlet (female)
 66615X-X-C and 66616X-X-C 1-1/2 - 11-1/2 N.P.T.F. - 1
 66617X-X-C and 66618X-X-C Rp 1-1/2 (1-1/2 - 11 BSP parallel)
Air Inlet (female) 1/2 - 14 N.P.T.F. - 1
Air Exhaust (female) 3/4 - 14 N.P.T.F. - 1
Weight Aluminum 51.54 lbs (23.4 kgs)
 Cast Iron 79.54 lbs (36.1 kgs)
 Stainless Steel 84.54 lbs (38.3 kgs)
 (add 23 lbs (10.4 kgs) for cast iron air motor section)
Air Section Service Kit 637118-C
Fluid Section Service Kit 637124-XX
Composite PTFE Diaphragm Kit 48496806

66615X - X X X - C
637124 - X X X

Diaphragm Material
Ball Material

EXAMPLE: Model 666150-361-C
Fluid Section Service Kit is 637124-61

PERFORMANCE

Air Inlet Pressure Range 20 - 120 p.s.i. (1.4 - 8.3 bar)
Maximum Material Inlet Pressure 10 p.s.i. (0.69 bar)
Fluid Pressure Range 20 - 120 p.s.i. (1.4 - 8.3 bar)
Maximum Flow Rate (flooded inlet) 90 g.p.m. (340.7 l.p.m.)
Maximum Particle Size 1/4" dia. (6.4 mm)
Maximum Temperature Limits (diaphragm / ball / seat material)
 Acetal 10° to 180° F (-12° to 82° C)
 E.P.R. -60° to 280° F (-51° to 138° C)
 Hytel -20° to 150° F (-29° to 66° C)
 Neoprene 0° to 200° F (-18° to 93° C)
 Nitrile 10° to 180° F (-12° to 82° C)
 Polypropylene 35° to 175° F (2° to 79° C)
 Polyurethane 10° to 150° F (-12° to 66° C)
 PVDF (Kynar) 10° to 200° F (-12° to 93° C)
 PTFE 40° to 225° F (4° to 107° C)
 Composite PTFE 14° to 194° F (-10° to 90° C)
 Santoprene -40° to 225° F (-40° to 107° C)
 Viton -40° to 350° F (-40° to 177° C)
Displacement / Cycle @ 100 p.s.i.
 Standard Diaphragm 0.64 gal. (2.42 lit.)
 Composite PTFE Diaphragm 0.40 gal. (1.52 lit.)
Noise Level @ 70 p.s.i. - 60 c.p.m. 77.7 db(A)^②

① Tested with 93139 muffler installed.
 ② The pump sound pressure level has been updated to an Equivalent Continuous Sound Level (L_{Aeq}) to meet the intent of ANSI S1.13-1971, CAGI-PNEUROP S5.1 using four microphone locations.

ACCESSORIES:

- 65010 Neoprene "O" Ring Air Motor Kit
- 65764 Viton "O" Ring Air Motor Kit
- 66084-1 Air Line Connection Kit
- 637155 Abrasion Resistant Conversion Kit

INGERSOLL RAND COMPANY LTD
 209 NORTH MAIN STREET - BRYAN, OHIO 43506

① (800) 495-0276 • FAX(800) 892-6276 © 2012 CCN 15260219
 www.ingersollrandproducts.com



PERFORMANCE CURVES

6661XX-XXX-C 1-1/2" METALLIC DIAPHRAGM PUMP

